

Database Usage (and Construction)

Transactions

Setting

- DBMS must allow concurrent access to databases.
 - Imagine a bank where account information is stored in a database *not* allowing concurrent access. Then only one person could do a withdrawal in an ATM machine at the time – anywhere!
- Uncontrolled concurrent access may lead to problems.

Example:

Imagine a program that does the following:

1. Get a day, a time and a course from the user in order to schedule a lecture. (**get**)
2. List all available rooms at that time, with number of seats, and let the user choose one. (**list**)
3. Book the chosen room for the given course at the given time. (**book**)

```
SELECT *
FROM ROOMS
WHERE name NOT IN
(SELECT room
 FROM Lectures
 WHERE weekday = theDay
 AND hour = theTime);
```

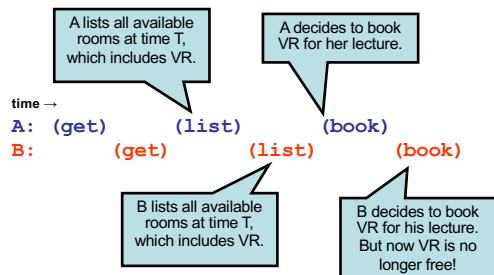
```
INSERT INTO Lectures VALUES
(theCourse, thePeriod,
theDay, theTime,
chosenRoom);
```

Running in parallel

- Assume two people, A and B, both try to book a room for the same time, at the same time.
- Both programs perform the sequence (**get**) (**list**) (**book**), in that order.
- But we can interleave the blocks of the two sequences in any way we like!
 - Here's one possible interleaving:

```
A: (get)      (list)      (book)
B:      (get)      (list)      (book)
```

Interleaving



Quiz!

Look again at the interleaving:

```
time →
A: (get)      (list)      (book)
B:      (get)      (list)      (book)
```

What can we do to fix it?

The only way that we get the desired behavior is if both A and B may perform the operations (**list**) (**book**) without the other doing a (**book**) in the middle!

Quiz!

Assume we run the following two programs in parallel, and assume the databases contains only the Databases lecture in room VR on Mondays (and all lectures are 2h long):

P₁:

1. Insert a lecture for the Databases course in room VR at 10 on Mondays. (*ins*)
2. Delete the lecture in the Databases course in room VR at 13 on Mondays. (*del*)

P₂:

1. Find the first lecture of the day in room VR on Mondays. (*min*)
2. Find the last lecture of the day in room VR on Mondays. (*max*)
3. Return the total time that room VR is occupied, $((max+2)-min)$. (*ret*)

...Quiz continued!

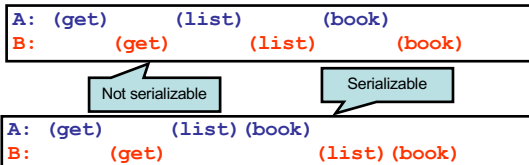
P₁ (*ins*) (*del*) What could P₂ return?
 P₂ (*min*) (*max*) (*ret*)

- Need to consider possible **schedules** of the actions that access or update the database: (*ins*) (*del*) (*min*) (*max*)

(<i>ins</i>) (<i>del</i>) (<i>min</i>) (<i>max</i>)	P ₂ returns 2
(<i>ins</i>) (<i>min</i>) (<i>del</i>) (<i>max</i>)	P ₂ returns 2
(<i>ins</i>) (<i>min</i>) (<i>max</i>) (<i>del</i>)	P ₂ returns 5
(<i>min</i>) (<i>ins</i>) (<i>del</i>) (<i>max</i>)	P ₂ returns -1
(<i>min</i>) (<i>ins</i>) (<i>max</i>) (<i>del</i>)	P ₂ returns 2
(<i>min</i>) (<i>max</i>) (<i>ins</i>) (<i>del</i>)	P ₂ returns 2

Serializability

- Two programs are run *in serial* if one finishes before the other starts.
- The running of two programs is *serializable* if the effects are the same as if they had been run in serial.



Example:

Assume we perform the following operations to transfer 100 SEK from account X to account Y.

1. Check account balance in account X.

```
SELECT balance
FROM Accounts
WHERE accountID = X;
```
2. Subtract 100 from account X.

```
UPDATE Accounts
SET balance = balance - 100
WHERE accountID = X;
```
3. Add 100 to account Y.

```
UPDATE Accounts
SET balance = balance + 100
WHERE accountID = Y;
```

What could go wrong?

Example:

Assume we perform the following operations to transfer 100 SEK from account X to account Y.

1. Check account balance in account X.

```
SELECT balance
FROM Accounts
WHERE accountID = X;
```
2. Subtract 100 from account X.

```
UPDATE Accounts
SET balance = balance - 100
WHERE accountID = X;
```
3. Add 100 to account Y.

```
UPDATE Accounts
SET balance = balance + 100
WHERE accountID = Y;
```

Two things can go wrong: We can have strange interleavings like before. But also, assume the program crashes after executing 1 and 2 – we'll have lost 100 SEK!

Atomicity

- For many programs, we require that "all or nothing" is executed.
 - We say a sequence of actions is executed *atomically* if it is executed either in entirety, or not at all.
 - The state in the middle is never visible from outside the sequence.
 - cf. Greek atom = indivisible.
 - In case of a crash in the middle, any changes that were made up until that point must be undone.

ACID Transactions

- A DBMS is expected to support "ACID transactions", which are
 - **Atomic**: Either the whole transaction is run, or nothing.
 - **Consistent**: Database constraints are preserved.
 - **Isolated**: Different transactions may not interact with each other.
 - **Durable**: Effects of a transaction are not lost in case of a system crash.

Transactions in SQL

- SQL supports transactions, often behind the scenes.
 - An SQL statement is a transaction.
 - E.g. an update of a table can't be interrupted after half the rows.
 - Any triggers, procedures, functions etc. that are started by the statement is part of the same transaction.

Controlling transactions

- We can explicitly start transactions using the **START TRANSACTION** or **BEGIN** statement, and end them using **COMMIT** or **ROLLBACK**:
 - **COMMIT** causes an SQL transaction to complete successfully.
 - Any modifications done by the transaction are now permanent in the database.
 - **ROLLBACK** or **ABORT** causes an SQL transaction to end by aborting it.
 - Any modifications to the database must be undone.
 - Rollbacks could be caused implicitly by errors e.g. division by 0.

Read-only vs. Read-write

- A transaction that does not modify the database is called *read-only*.
 - A read-only transaction can never interfere with another transaction (but not the other way around!).
 - Any number of read-only transactions can be run concurrently.
- A transaction that both reads and modifies the database is called *read-write*.
 - No other transaction may write between the read and write.

SET TRANSACTION

- We can hint the DBMS that a transaction only does reading, by issuing the statement:

```
SET TRANSACTION READ ONLY;
```

- Possibly the DBMS can make use of the information and optimize scheduling.

Drawbacks

- Serializability and atomicity are necessary, but don't come without a cost.
 - We must retain old data until the transaction commits.
 - Other transactions may need to wait for one to complete.
- In some cases some interference may be acceptable, and could speed up the system greatly.

Example:

Recall the first example of booking rooms:

time →
A: (get) (list) (book)
B: (get) (list) (book)

It could take time for the user to decide which room to choose after getting the list. If we make this a serializable transaction, all other users would have to wait as well.

The worst thing that could happen is that B is told to choose another room when he tries to book the room that A just booked.

Isolation levels

- ANSI SQL standard defines four *isolation levels*, which are choices about what kinds of interference are allowed between transactions.
- Each transaction chooses its own isolation level, deciding how other transactions may interfere with it.
- Isolation level is defined in terms of three phenomena that can occur.

Kinds of interference

The ANSI SQL standard describes:

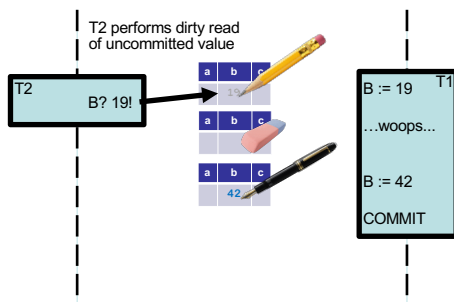
- Dirty read
- Non-repeatable read
- Phantom

(These, and other kinds of interference, are discussed in: Berenson, H., Bernstein, P., Gray, J., Melton, J., O'Neil, E., & O'Neil, P. (1995). A critique of ANSI SQL isolation levels. ACM SIGMOD Record, 24(2), 1-10.)

Dirty read

- Transaction T1 modifies a data item.
- Another transaction T2 then reads that data item before T1 performs a COMMIT or ROLLBACK.
- If T1 then performs a ROLLBACK, T2 has read a data item that was never committed and so never really existed.

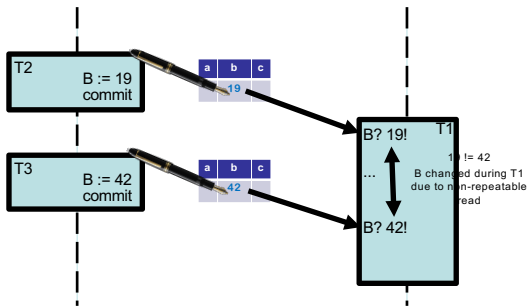
Dirty read example



Non-repeatable read

- Transaction T1 reads a data item.
- Another transaction T2 then modifies or deletes that data item and commits.
- If T1 then attempts to re-read the data item, it receives a modified value or discovers that the data item has been deleted.

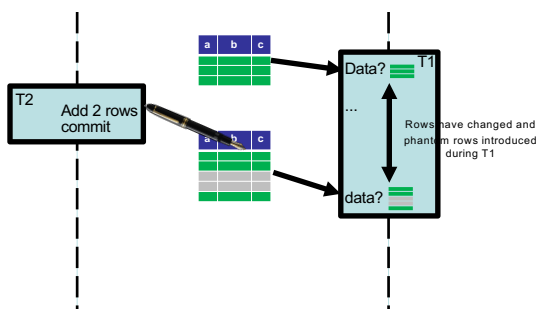
Non-repeatable read example



Phantom

- Transaction T1 reads a set of data items satisfying some <search condition>.
- Transaction T2 then creates data items that satisfy T1's <search condition> and commits.
- If T1 then repeats its read with the same <search condition>, it gets a set of data items different from the first read.

Phantom example



Choosing isolation level

- Within a transaction we can choose the isolation level:

SET TRANSACTION ISOLATION LEVEL X;

where X is one of

- **SERIALIZABLE**
- **READ COMMITTED**
- **READ UNCOMMITTED**
- **REPEATABLE READ**

Isolation levels - differences

What kinds of interference are possible?

	Dirty reads	Non-repeatable reads	Phantoms
READ UNCOMMITTED	Yes	Yes	Yes
READ COMMITTED	No	Yes	Yes
REPEATABLE READ	No	No	Yes
SERIALIZABLE	No	No	No

Increasing Isolation strictness ↓

READ UNCOMMITTED

- If a transaction is run with isolation level **READ UNCOMMITTED**, then the transaction allows other transactions to modify the database while running.
- Anything that is changed by another transaction affects the reads of this transaction, even if the other transaction has not yet committed!

READ COMMITTED

- If a transaction is run with isolation level **READ COMMITTED**, then the transaction allows other transactions to modify the database while running.
- Anything that is committed by another transaction affects the reads of this transaction.

REPEATABLE READ

- If a transaction is run with isolation level **REPEATABLE READ**, it works like read committed, except:
- If the transaction reads more than once, we are guaranteed to get *at least* the same tuples again (though we could get more).

SERIALIZABLE

- If a transaction is run with isolation level **SERIALIZABLE**, then no other transaction may interfere with it in any way.

– Examples:

If two room booking transactions are run serializable, then a booking for a room that was listed as free will always succeed, and transactions must wait for other transactions to finish.

In the min-max example, we always get a value that is correct at some point in time, either before or after the updating.

Quiz!

If we extend the room booking transaction with a confirmation, i.e. **(list) (book) (confirm)**, and run two in parallel with isolation level **READ UNCOMMITTED**, what could happen?

Same as with **READ COMMITTED**, except that if the user of the first transaction changes her mind at confirmation, thus causing a roll-back, the second user could be told that the room is booked even though it never was!

Quiz!

If we run two room booking transactions, **(list) (book)**, in parallel with isolation level **READ COMMITTED**, what would happen?

One transaction could book a room after the other had listed it as free, and the second booking may fail.
On the other hand, no transaction must wait for any other to finish.

Quiz!

If we run two room booking transactions, **(list) (book)**, in parallel with isolation level **REPEATABLE READ**, what would happen?

Exactly the same thing as for **READ COMMITTED**, since we only read once!

Quiz again!

If we run the first transactions of the min-max example as **READ UNCOMMITTED**, what could happen?

The update could be done between (**min**) and (**max**), which means we could get the value -1.
Even if the updating is run **SERIALIZABLE**, we could see the state between (**ins**) and (**del**), so the value 5 is also possible in this case!

Remember: Isolation level is a personal choice. Only because the min-max transaction is read-only can we run it in the middle of a serializable transaction!

Quiz again!

If we run the first transactions of the min-max example, (**min**) (**max**) and (**ins**) (**del**), as **READ COMMITTED**, what could happen?

The update could be done between min and max, which means we could get the value -1.
If the updating is run **SERIALIZABLE**, we could not see the state between since the changes would not be committed, so the value 5 is not possible.

Quiz again!

If we run the first transactions of the min-max example as **REPEATABLE READ**, what could happen?

If the update is done between (**min**) and (**max**), we will still see the deleted value when doing (**max**), so we can only get the value 2.

... but if we do (max)(min) instead, we would get the value 5...

Summary transactions

- DBMS must ensure that different processes don't interfere with each other!
 - "ACID": Atomicity, Consistency, Isolation, Durability.
 - The isolation levels of transactions may vary.
 - Serializable
 - Read Committed
 - Read Uncommitted
 - Repeatable Read
 - Isolation level affects only that transaction!

Next time, Lecture 11
Database Optimization:
Indexes
Non-natural keys
Denormalization