

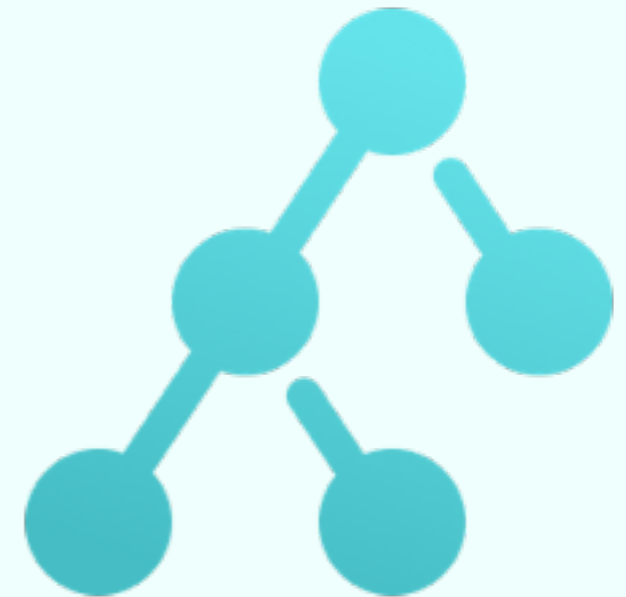


# Data Structures

## Exercise Session



Marco Vassena



# Problem 3

---

**Find if a list of words contains a reversed word**

# Problem 3

---

Find if a list of words contains a reversed word

cat

live

dog

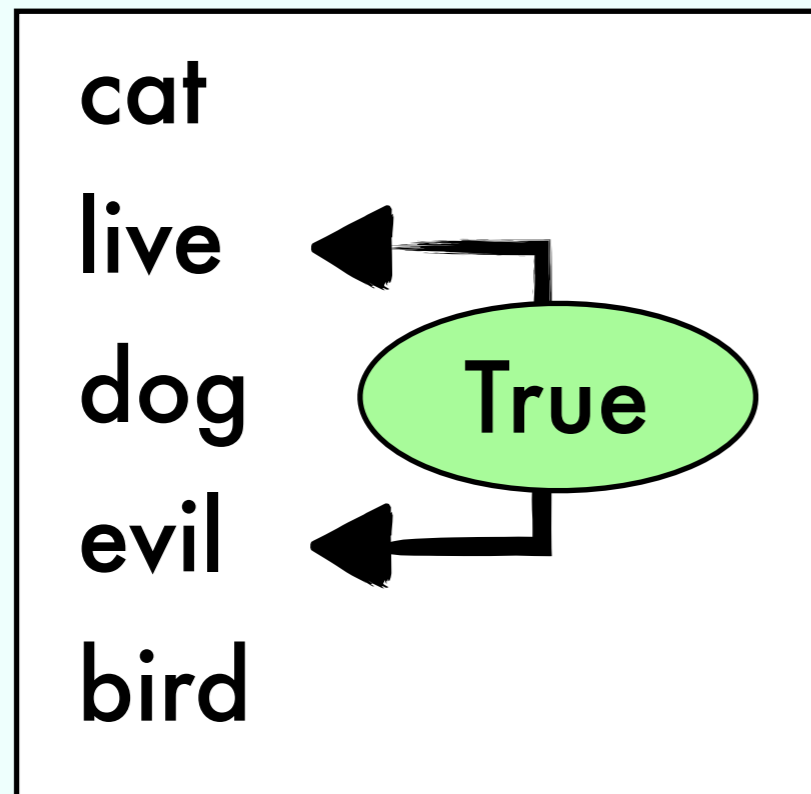
evil

bird

# Problem 3

---

Find if a list of words contains a reversed word

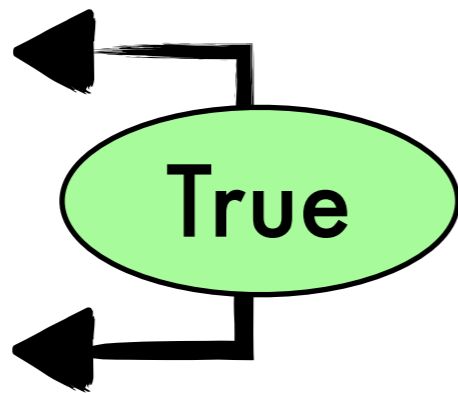


# Problem 3

---

Find if a list of words contains a reversed word

cat  
live  
dog  
evil  
bird



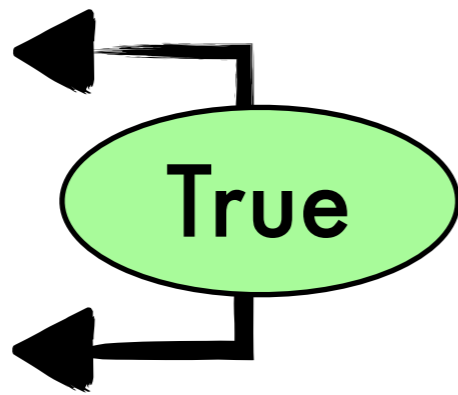
cat  
foo  
dog  
bar  
bird

# Problem 3

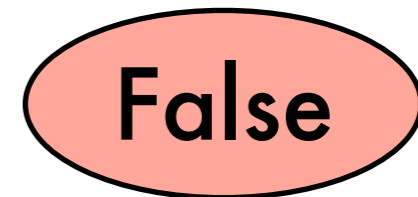
---

Find if a list of words contains a reversed word

cat  
live  
dog  
evil  
bird



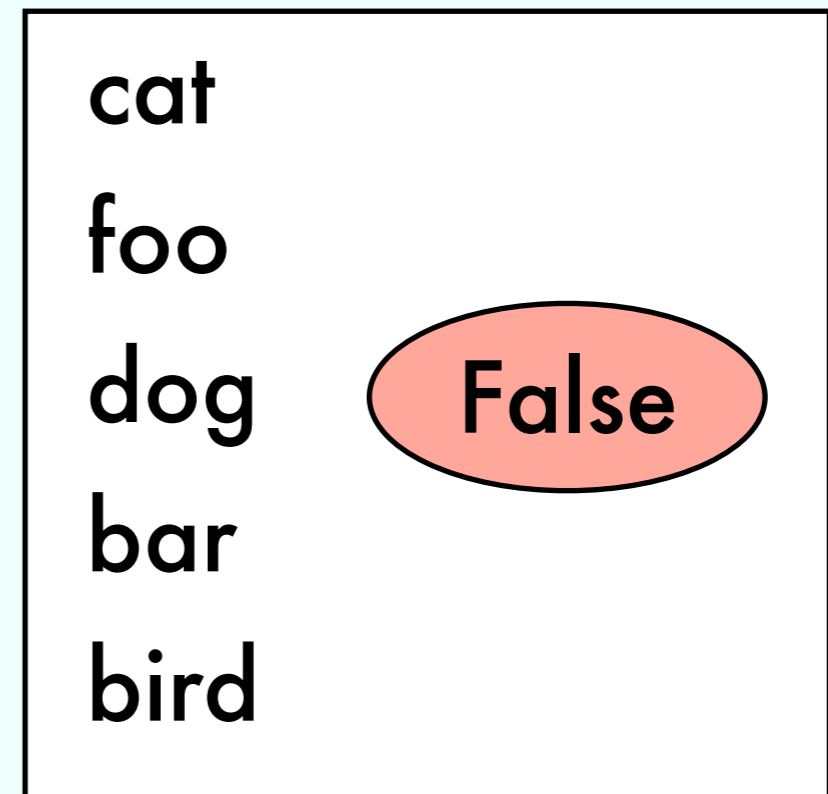
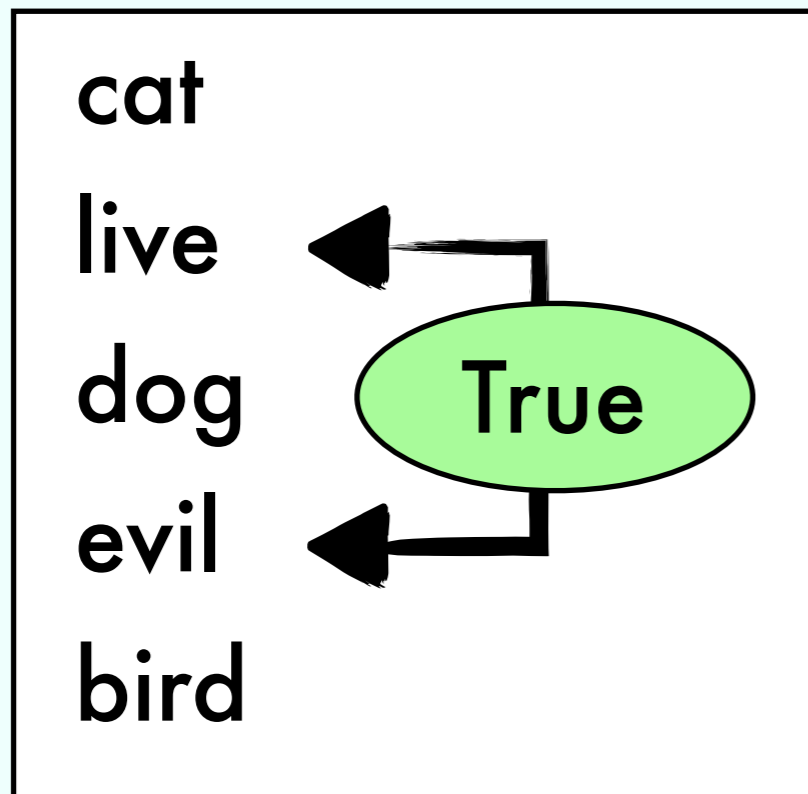
cat  
foo  
dog  
bar  
bird



# Problem 3

---

Find if a list of words contains a reversed word



Use hash-based data structures

# Analyze the time complexity

$$// \sum_{w \in WS} |w| = N$$

```
S = new HashSet();
```

```
for (String w : ws)
```

```
    if (reverse(w) ∈ S)
```

```
        then return true;
```

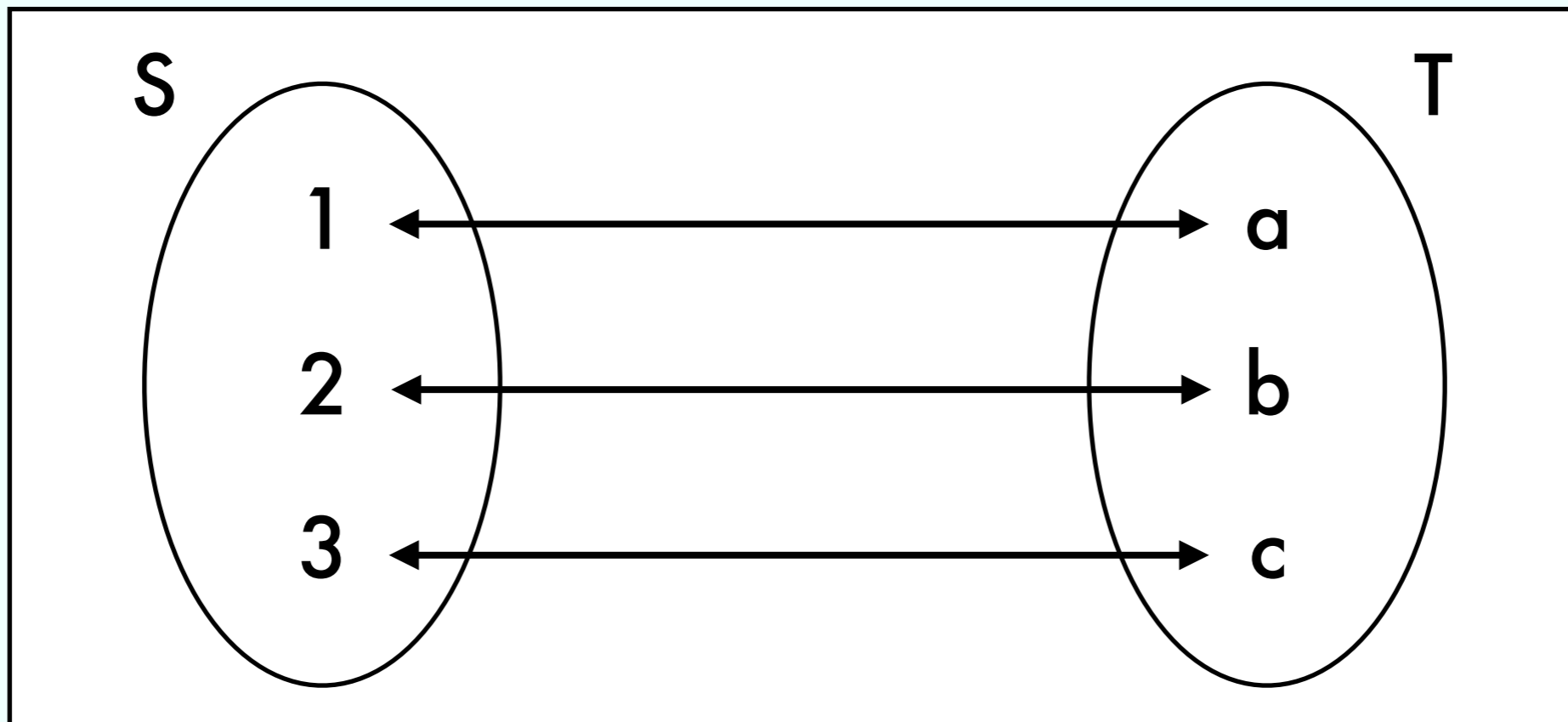
```
        else S.insert(w);
```

```
return false;
```



# Bijection

---



Invariant

$$\forall s \in S, t \in T$$
$$s \mapsto t \text{ if and only if } t \leftarrow s$$

# Exercise 2 from 12/8

---

Design a data structure for bijection

Operation	Time Complexity
<code>insert(s, t)</code>	$O(\log N)$
<code>source(t)</code>	$O(\log N)$
<code>target(s)</code>	$O(\log N)$

# Equivalence Relation

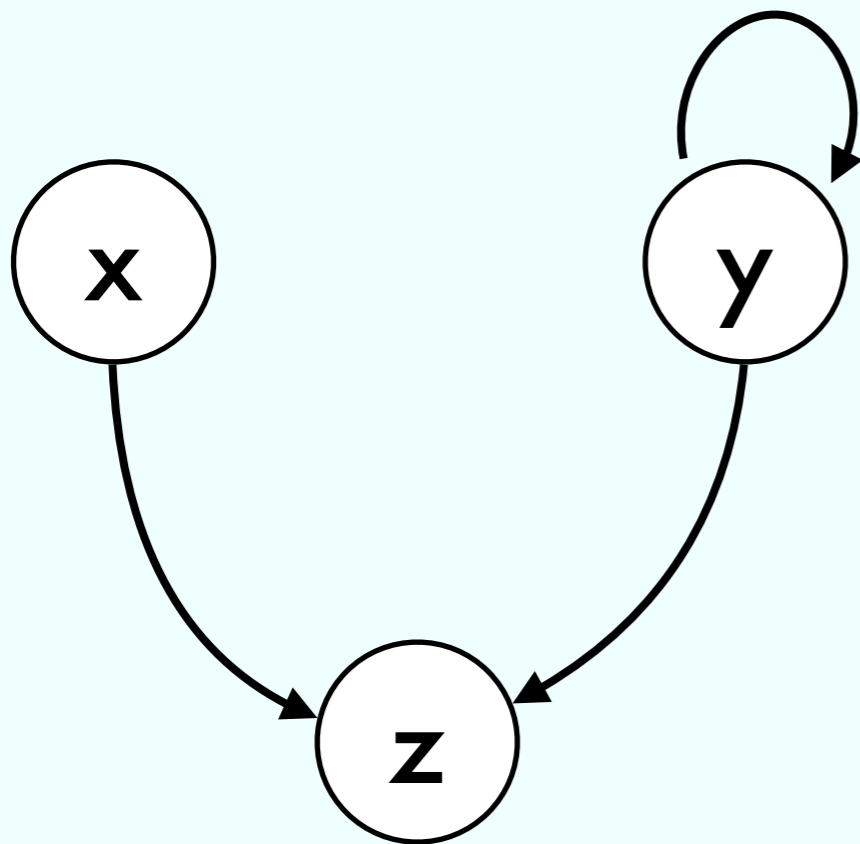
---

R is an equivalence relation, iff

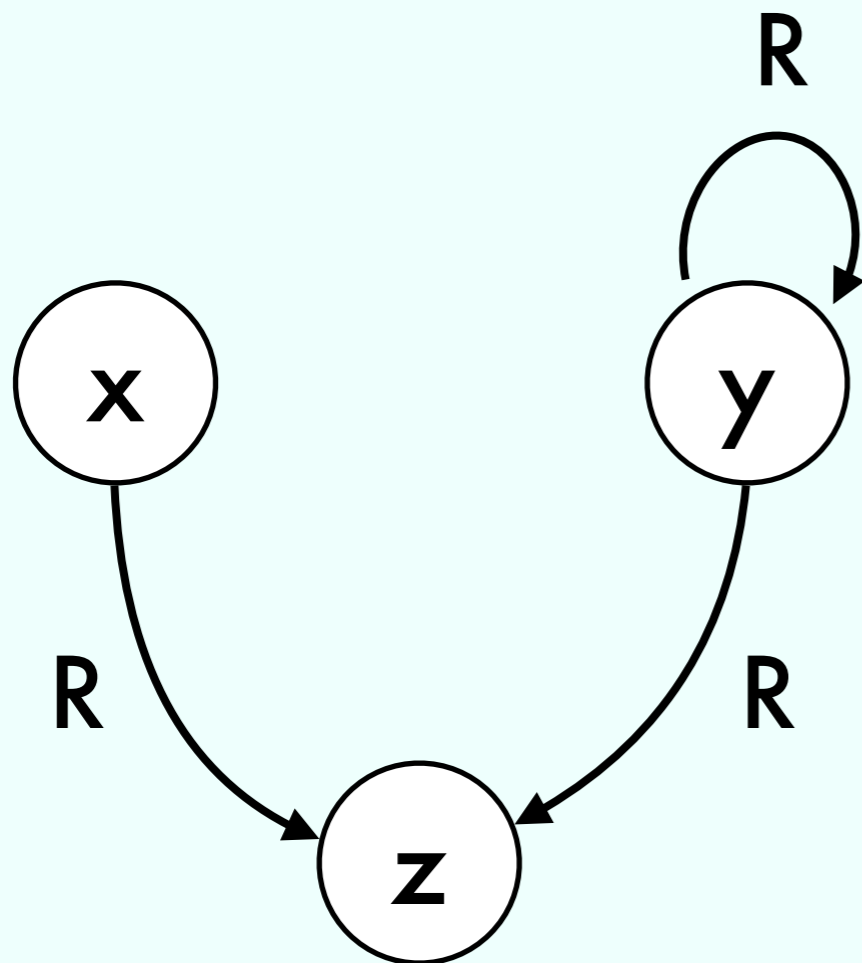
$$\forall x y z$$

reflexive	$x R x$
symmetric	$x R y \Rightarrow y R x$
transitive	$x R y, y R z \Rightarrow x R z$

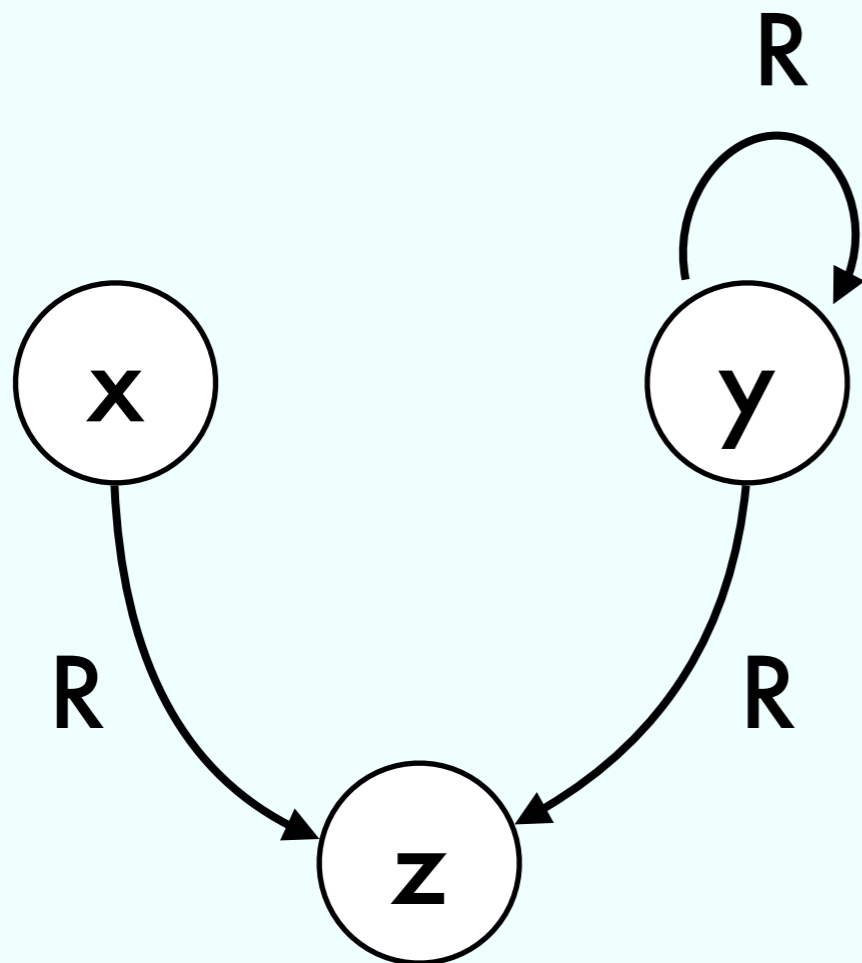
A graph  $G = (V, E)$  represents a relation  $R$



A graph  $G = (V, E)$  represents a relation  $R$



A graph  $G = (V, E)$  represents a relation  $R$

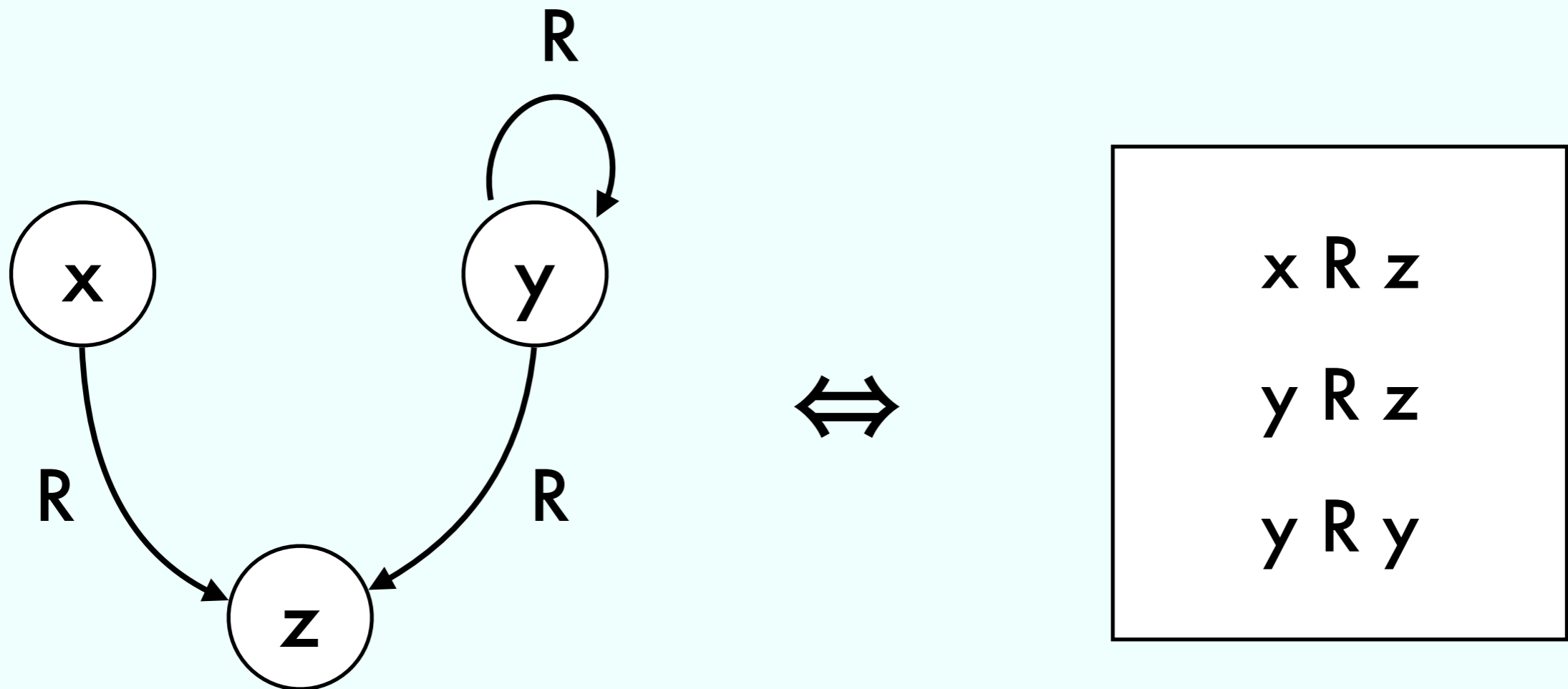


$x R z$

$y R z$

$y R y$

A graph  $G = (V, E)$  represents a relation  $R$

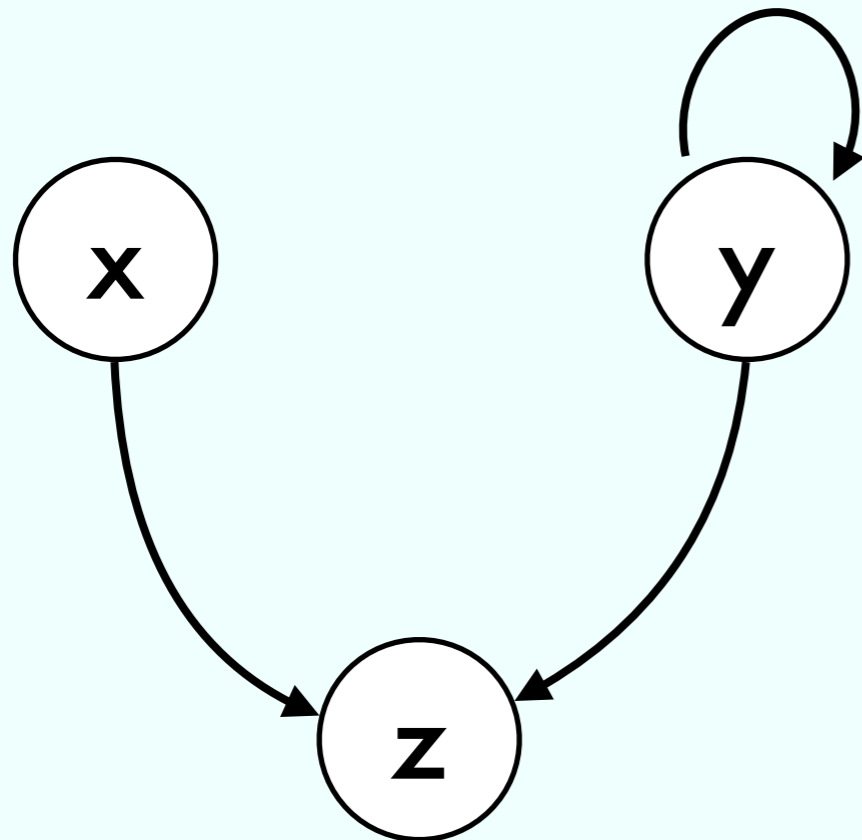


$$(x, y) \in E \Leftrightarrow x R y$$

# Problem 6

---

Does  $G$  represent  
an equivalence relation?



$x R z$

$y R z$

$y R y$

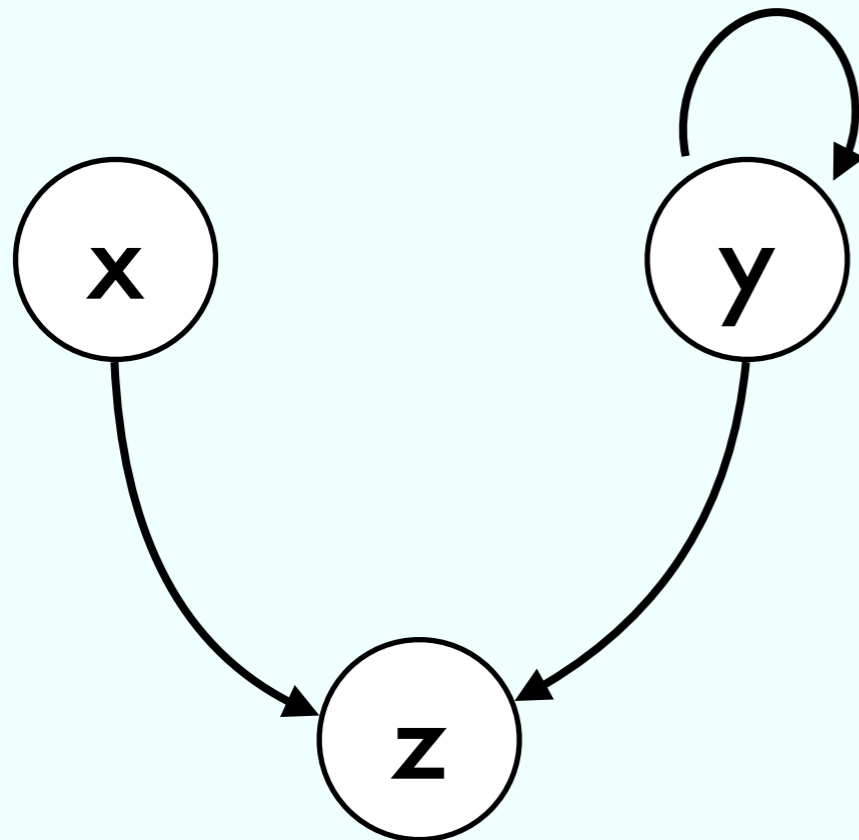


# Problem 6

---

Does  $G$  represent  
an equivalence relation?

False

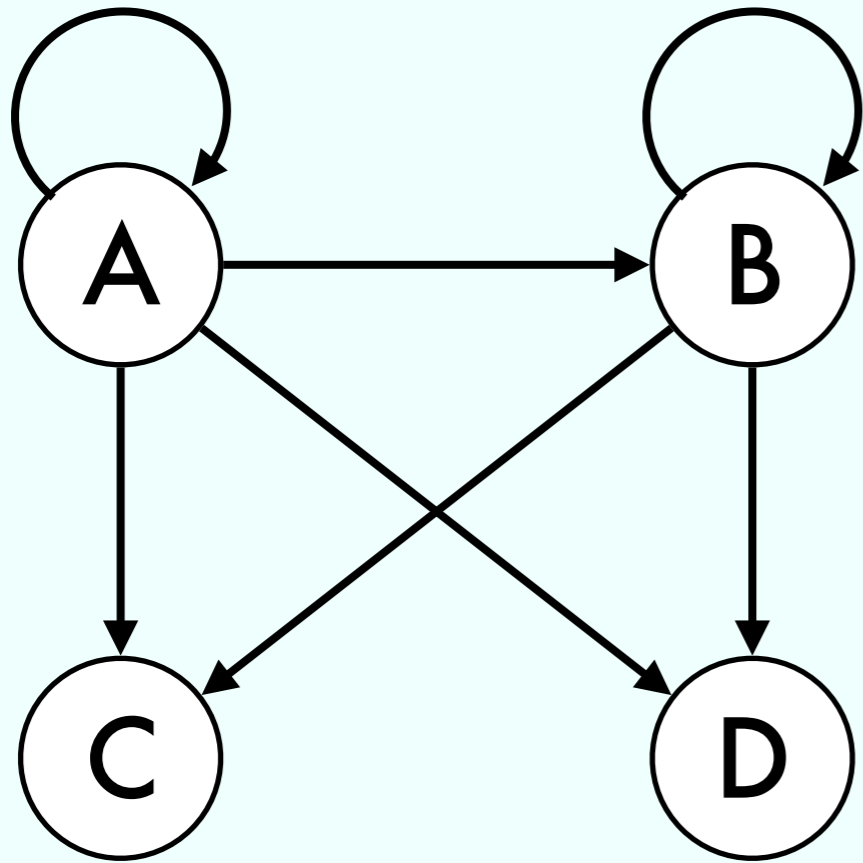


$x R z$

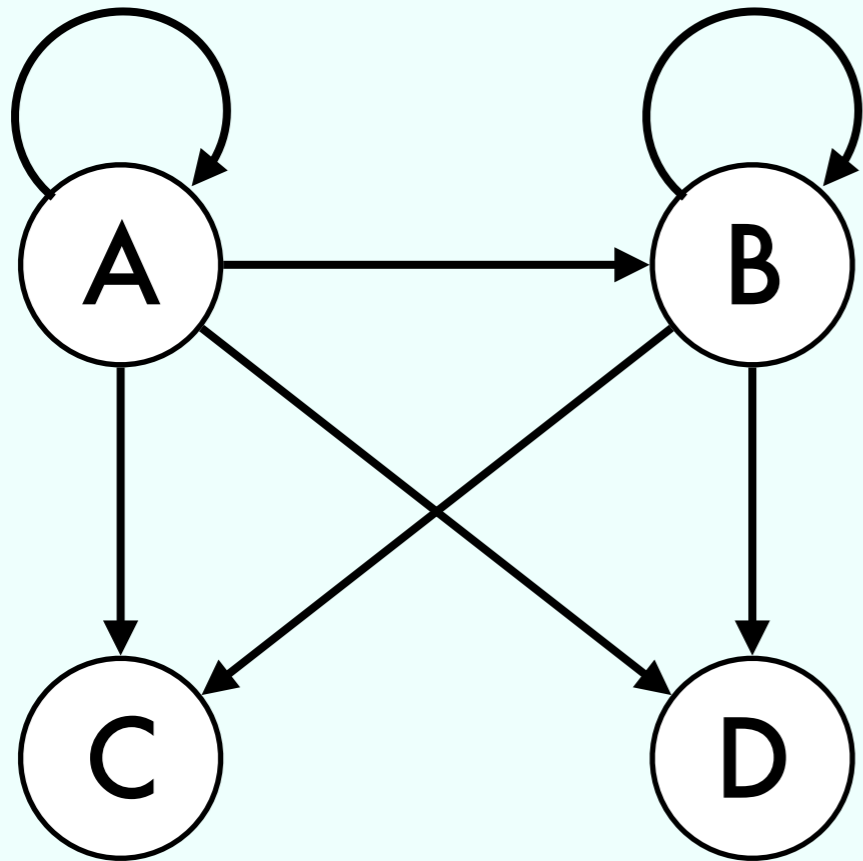
$y R z$

$y R y$





Path	Length
A - B	
B - C	
A - C	
A - A	
A - D	
B - D	
B - B	



Path	Length
A - B	1
B - C	1
A - C	1
A - A	0
A - D	1
B - D	1
B - B	0

# Theorem

**G reflexive**

**G transitive**



$\forall u, v \in V$

**shortestPath(u, v)  $\leq$  1**

# Problem 5

---

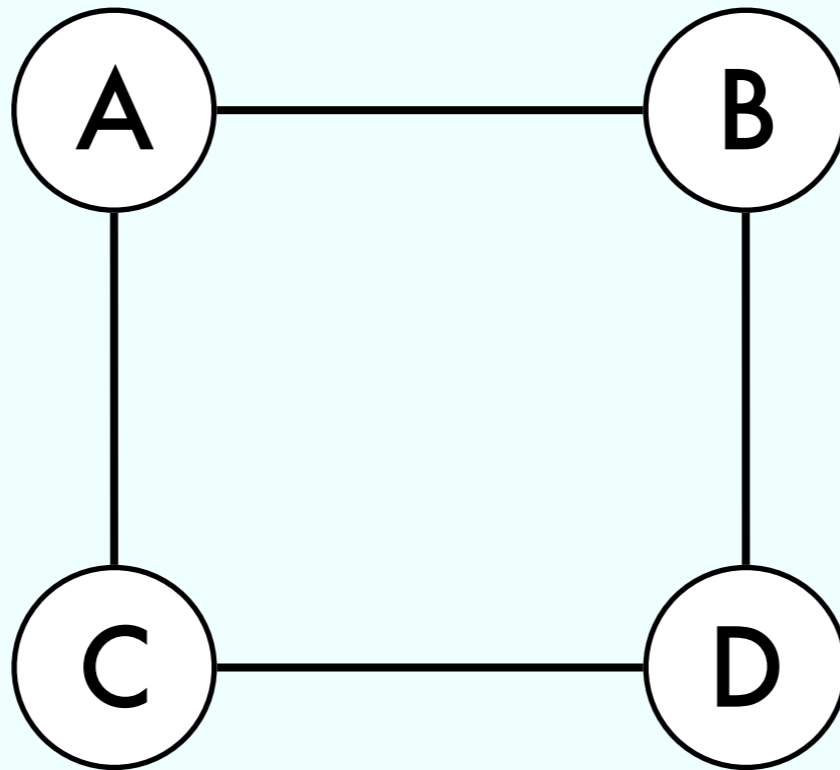
**Hamiltonian Path**

**Path that visits all nodes exactly once**

# Problem 5

---

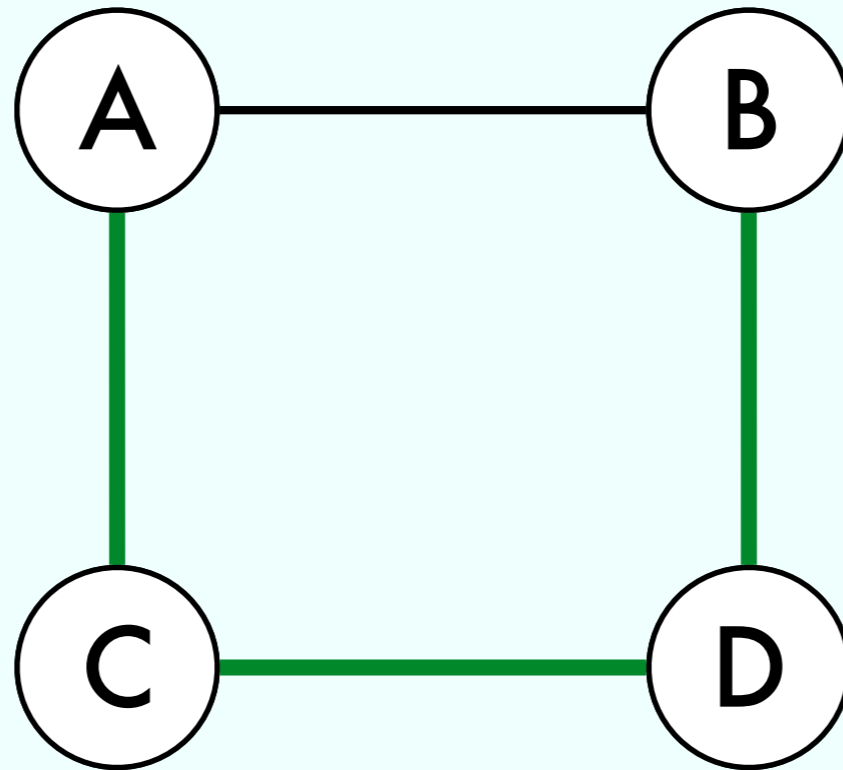
**Hamiltonian Path**  
Path that visits all nodes exactly once



# Problem 5

---

**Hamiltonian Path**  
Path that visits all nodes exactly once

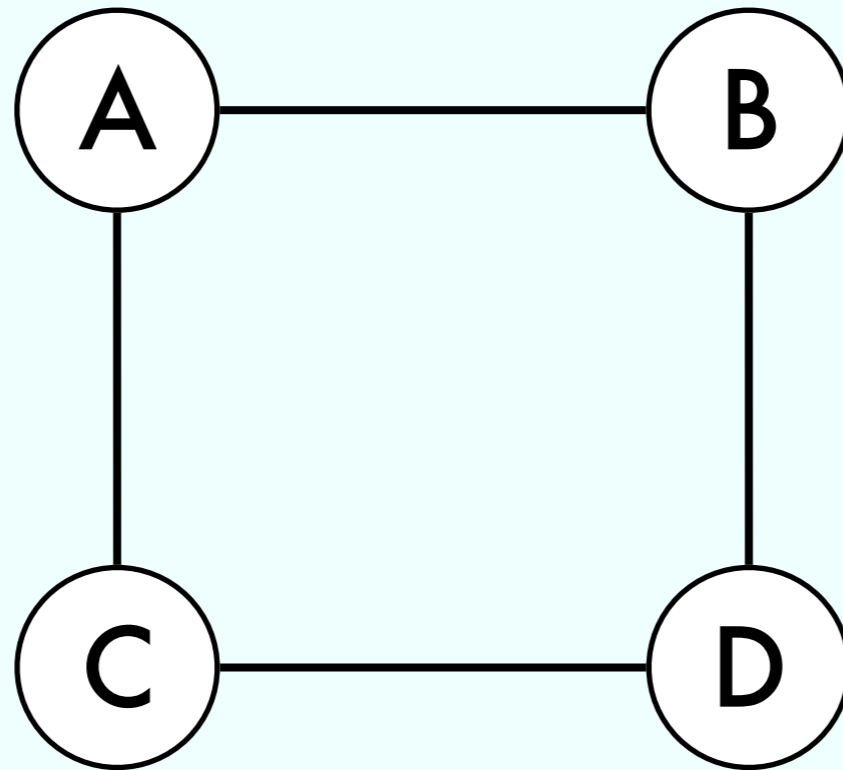




# Problem 5

---

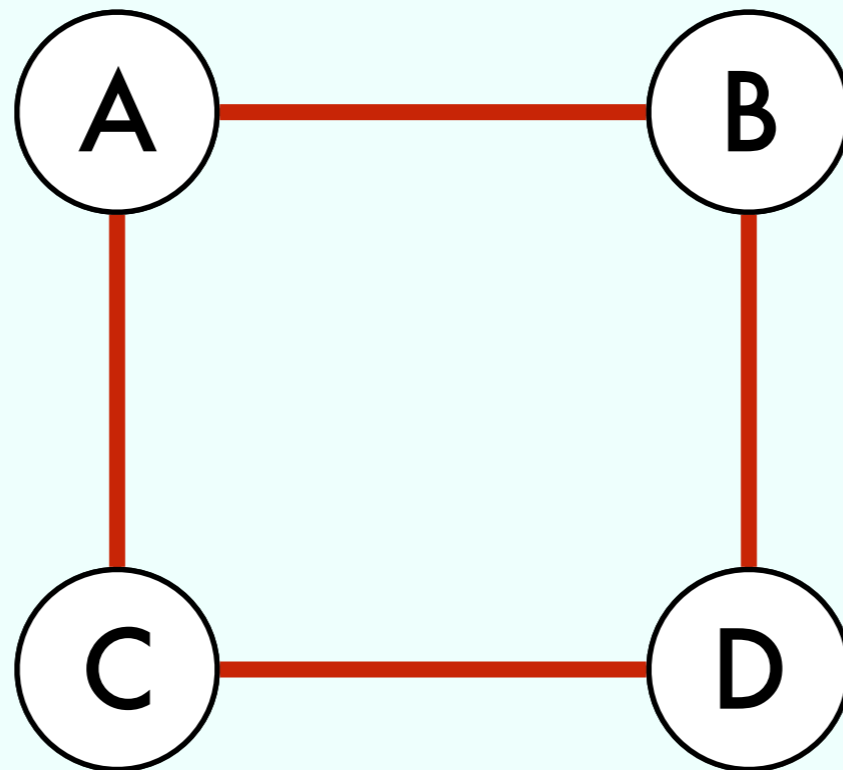
Hamiltonian Cycle  
Hamiltonian path that is a cycle



# Problem 5

---

Hamiltonian Cycle  
Hamiltonian path that is a cycle

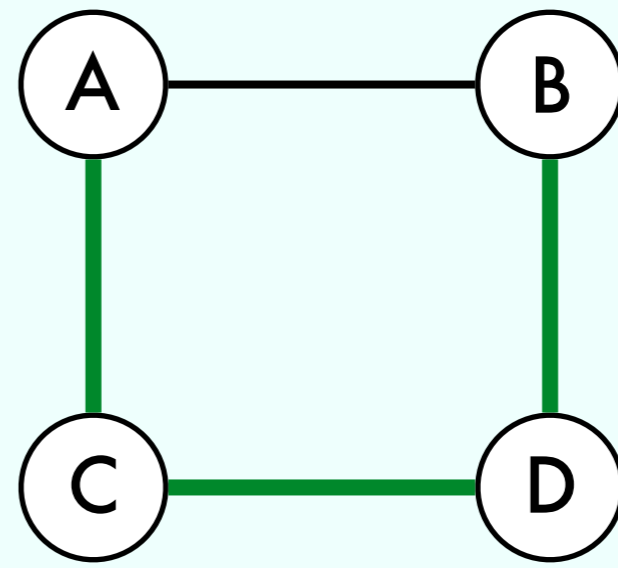
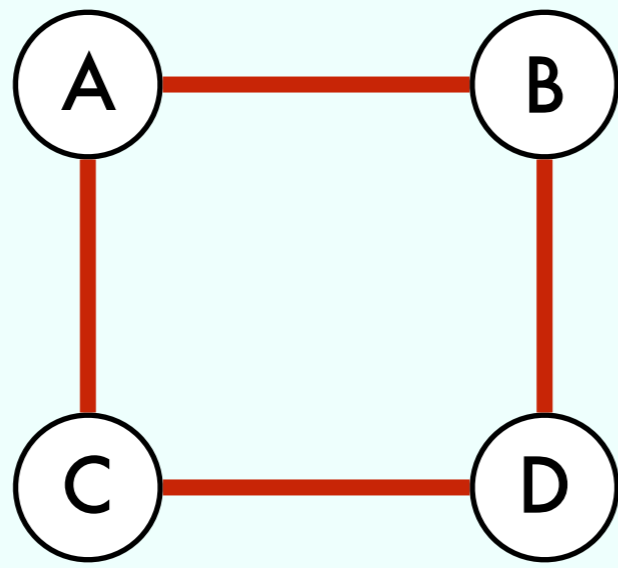


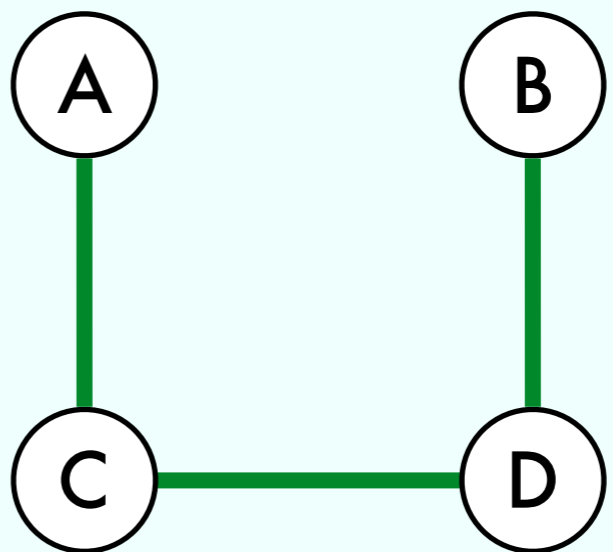
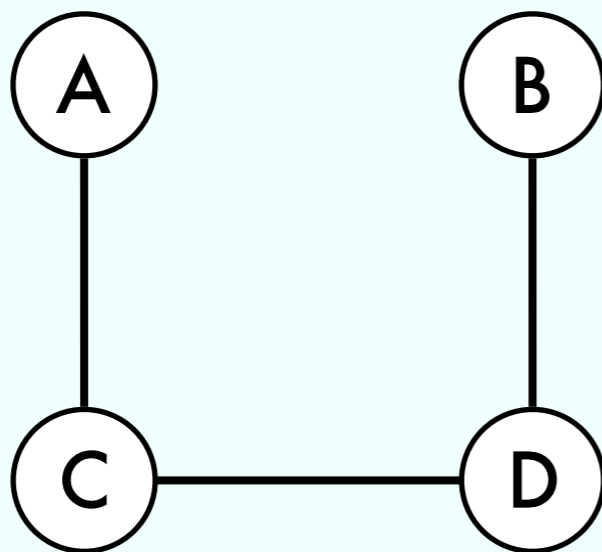
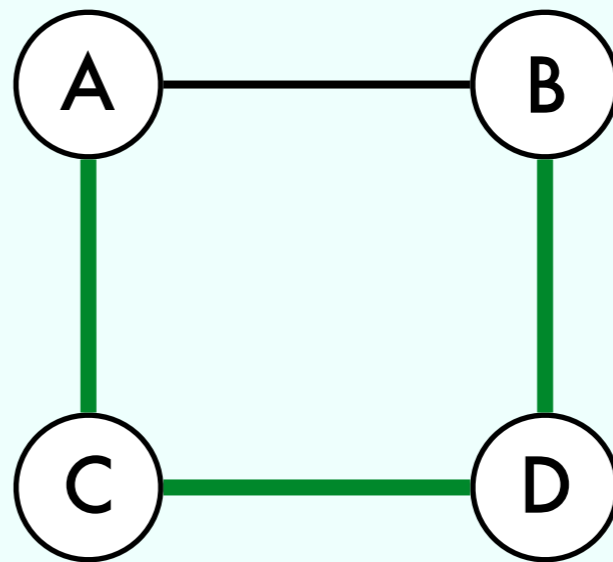
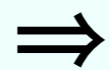
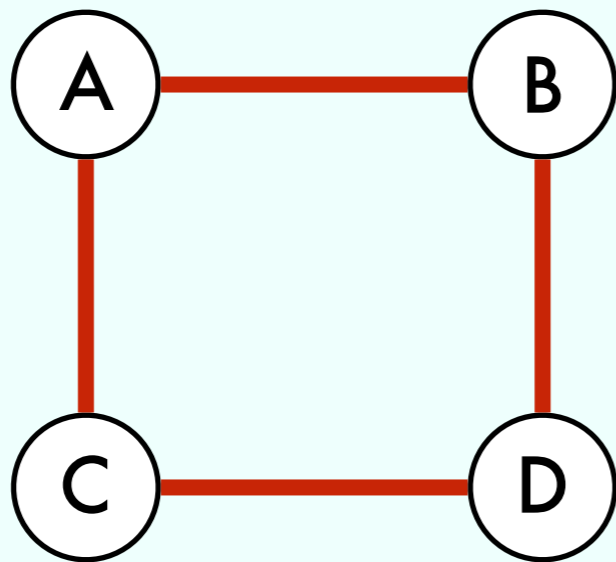
# Problem 5

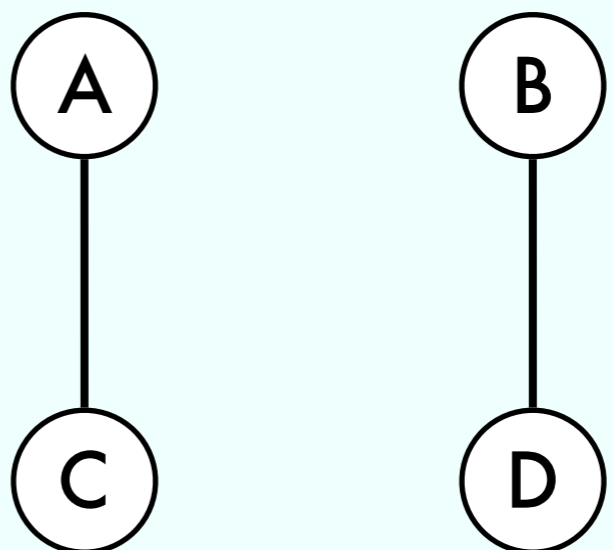
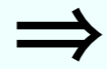
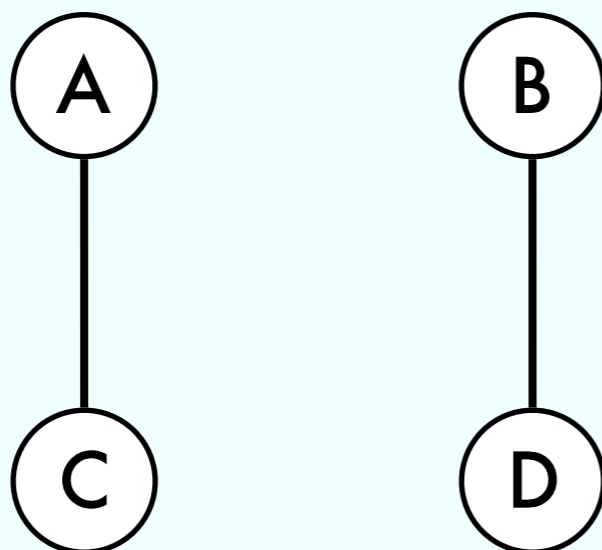
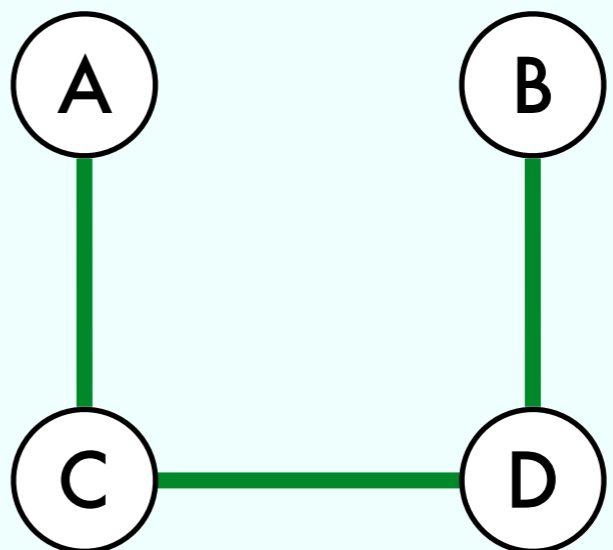
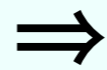
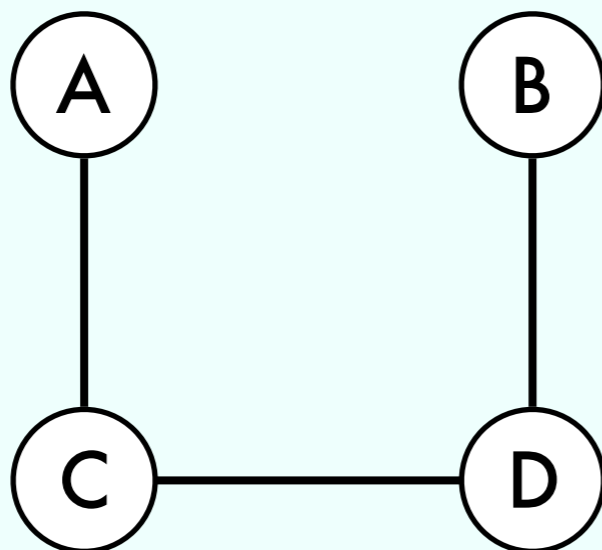
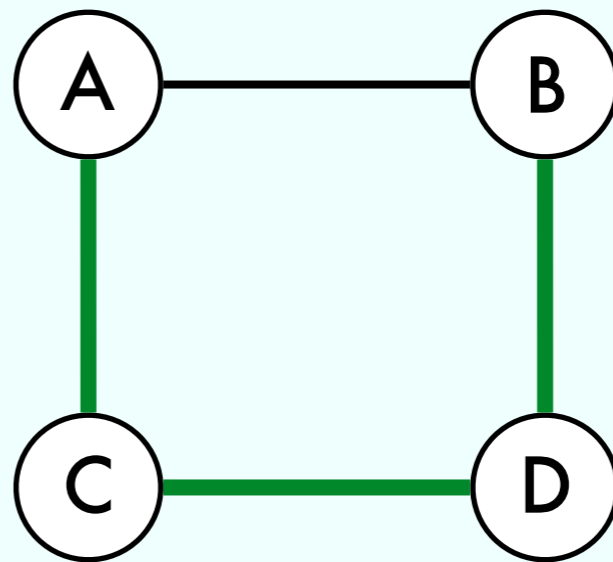
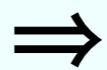
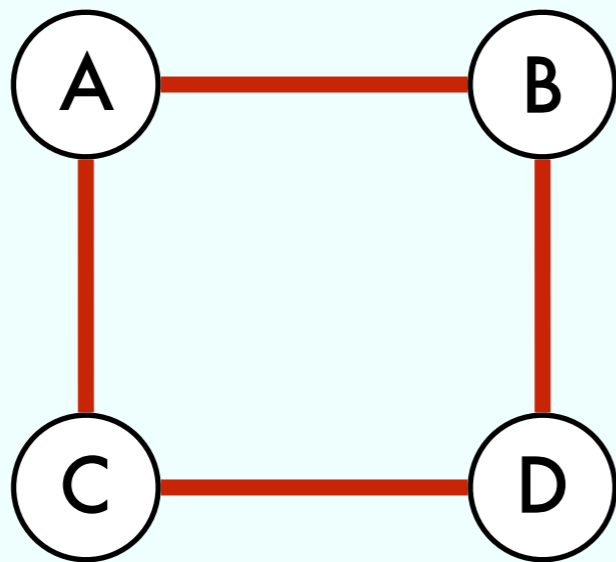
---

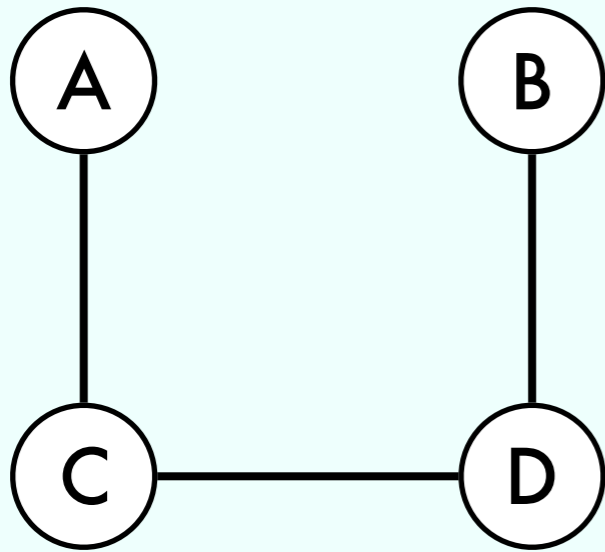
Assume you have `hasHCycle(G)`

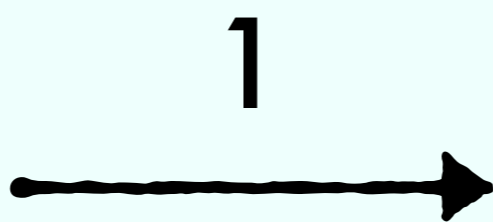
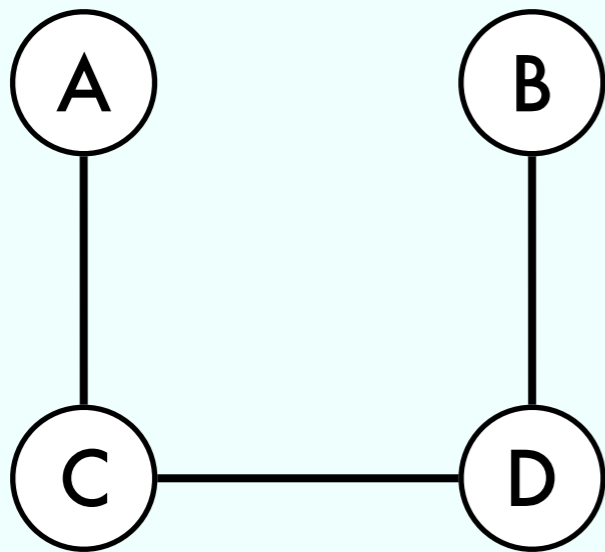
Implement `hasHPath(G)`



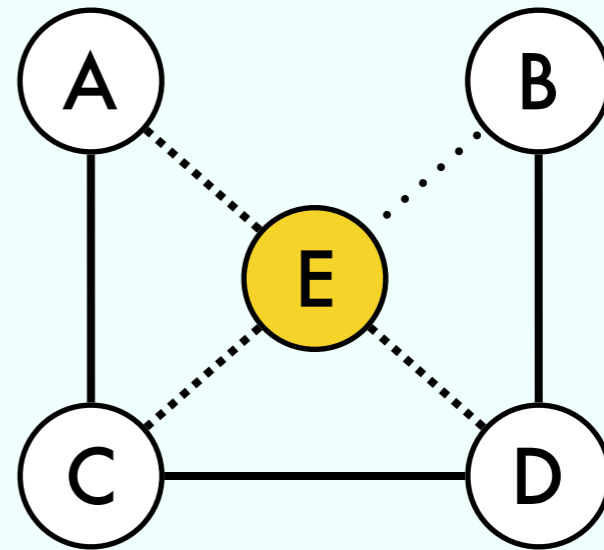
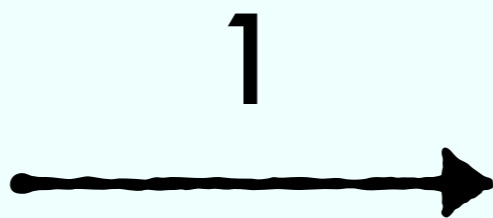
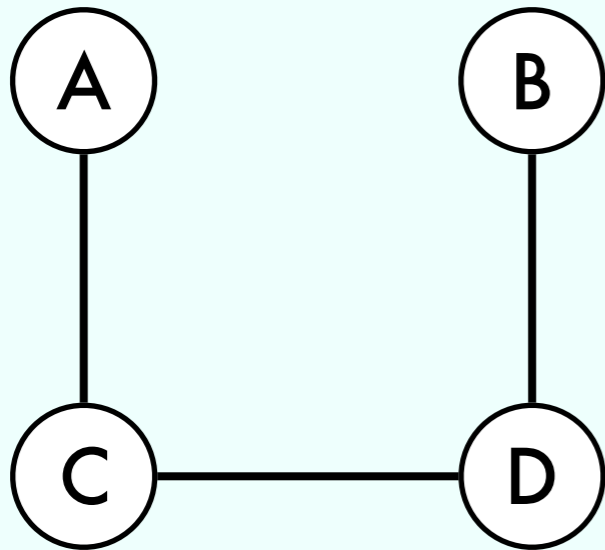


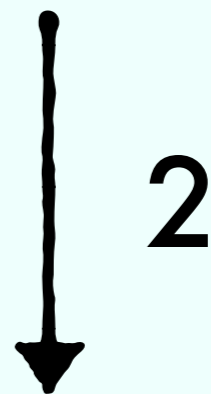
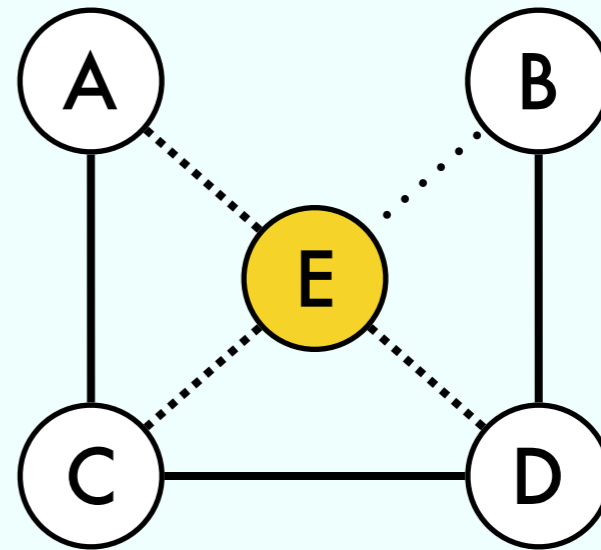
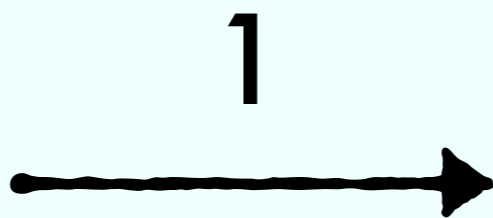
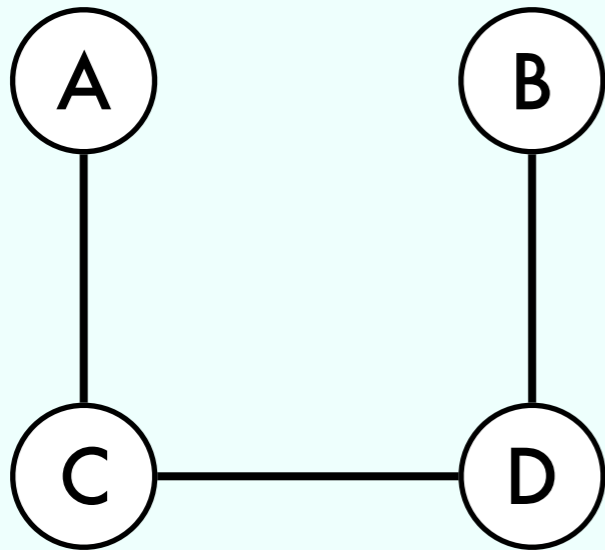


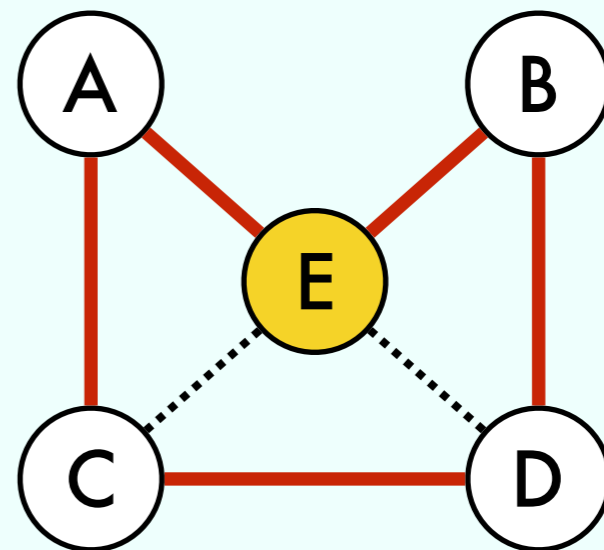
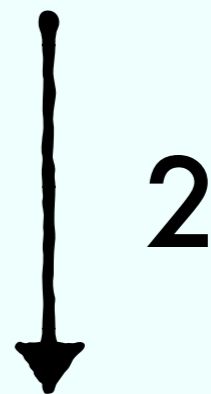
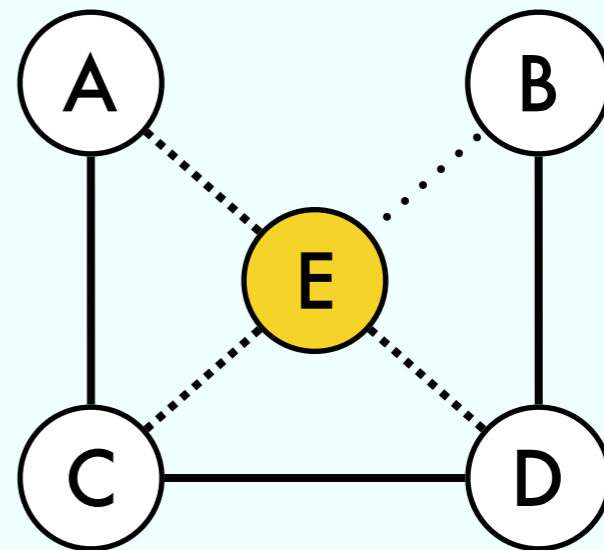
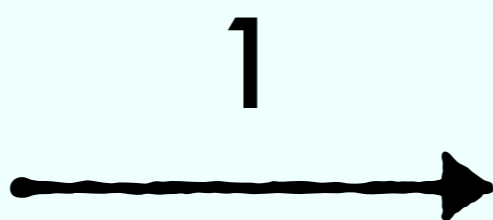
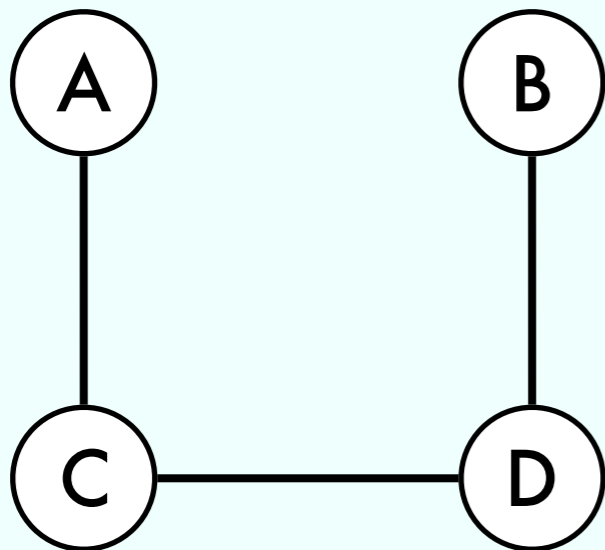


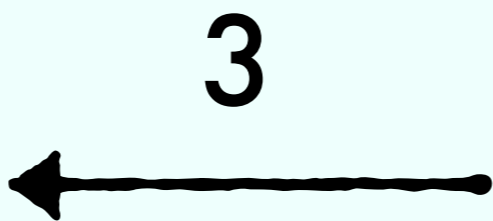
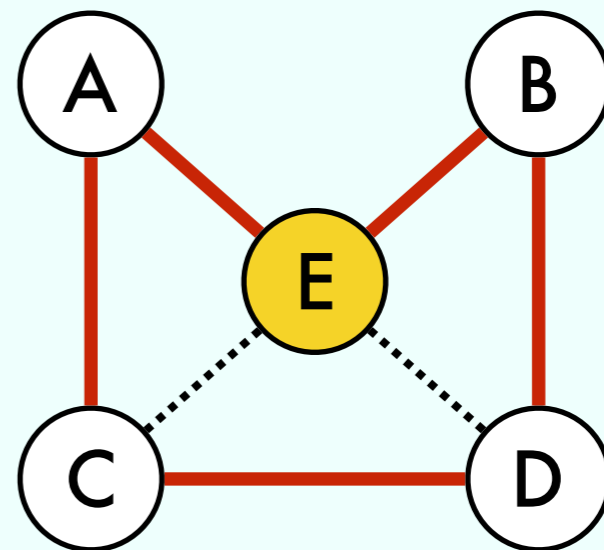
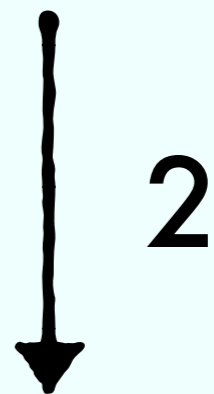
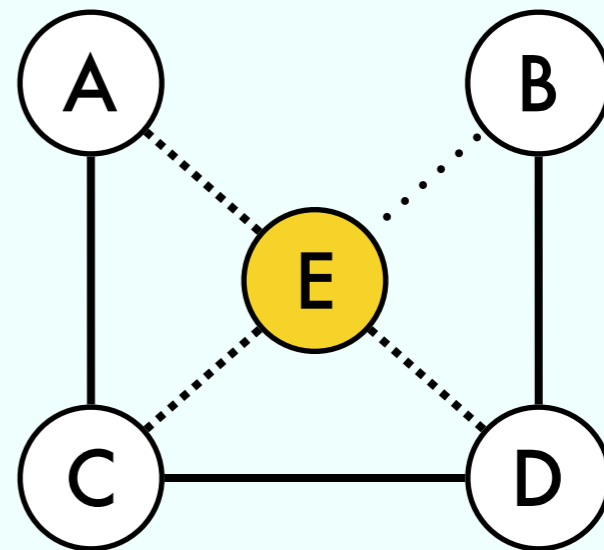
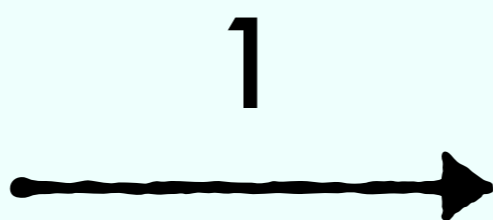
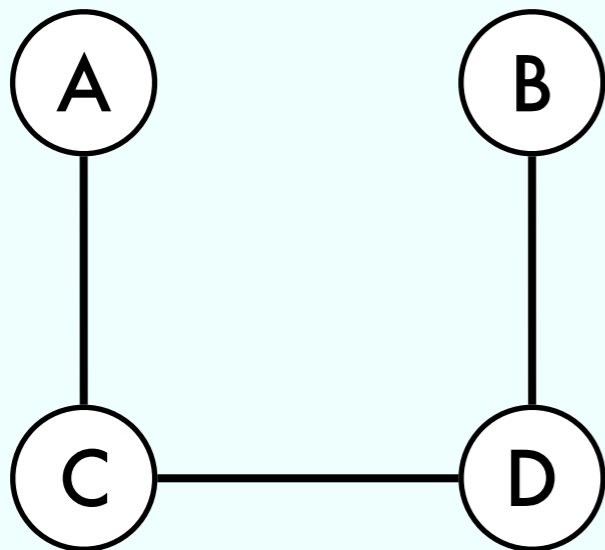


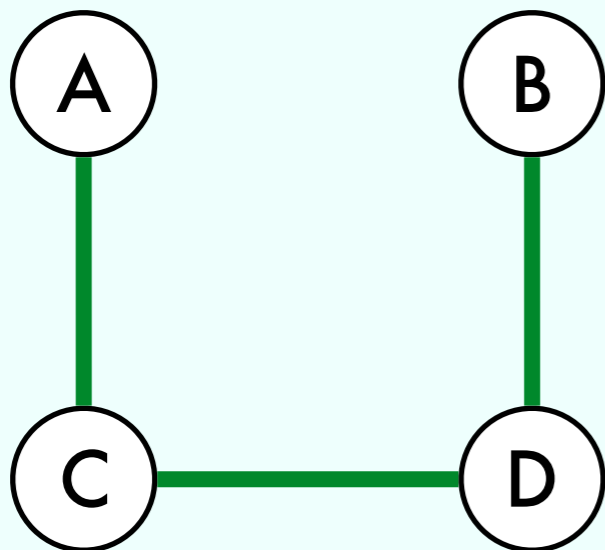
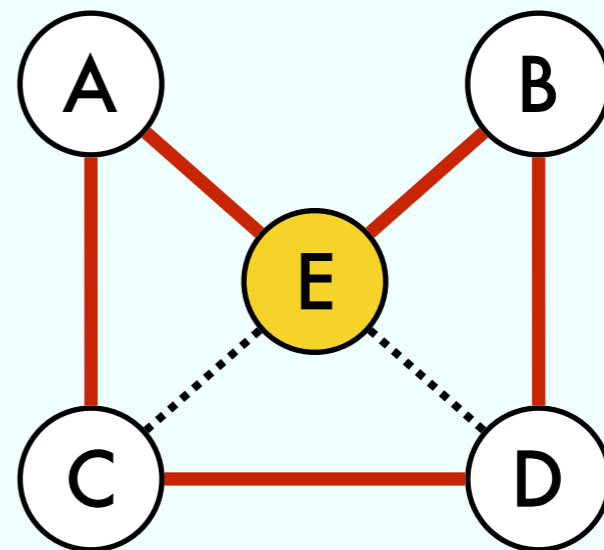
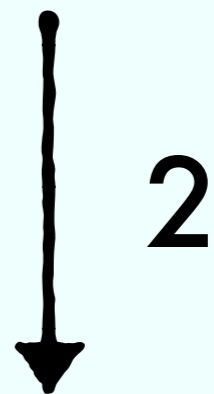
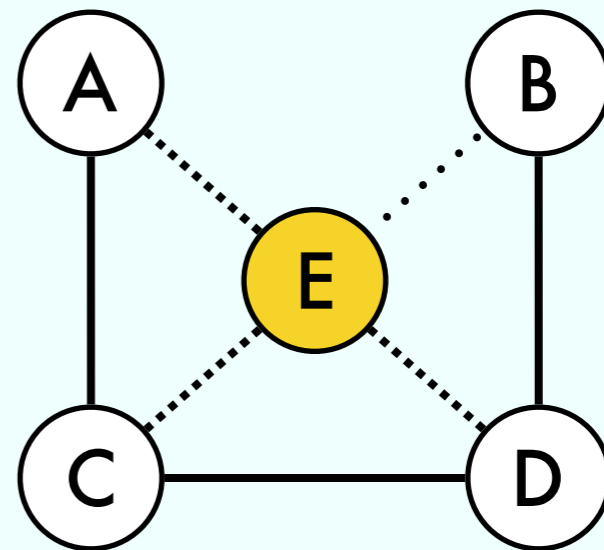
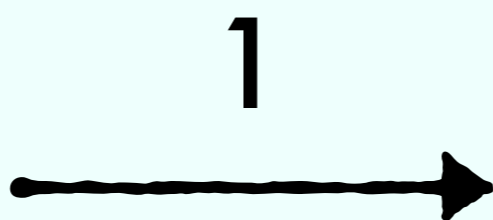
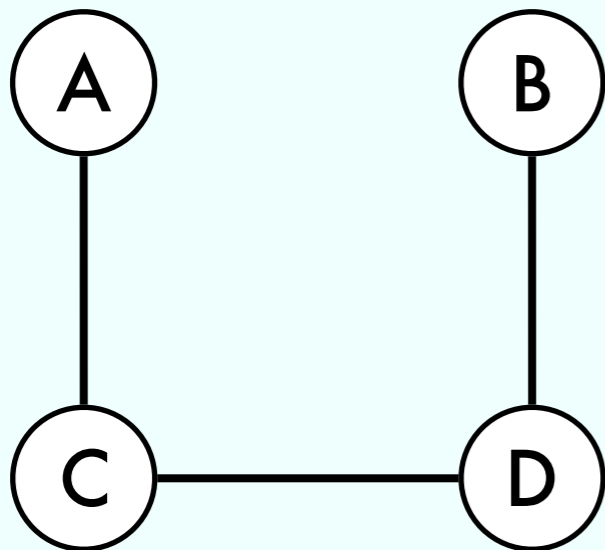












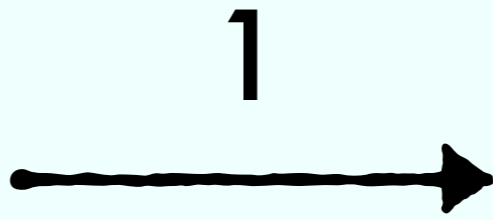
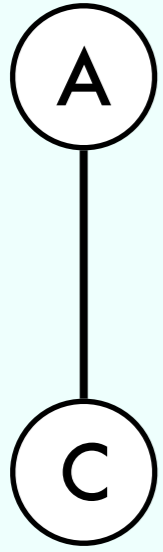
A

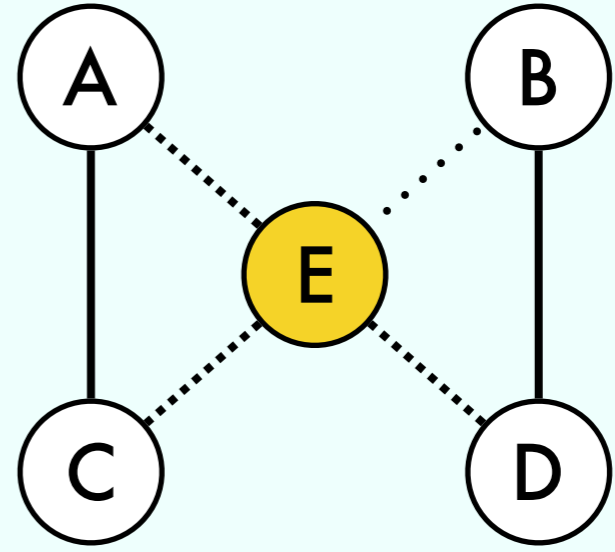
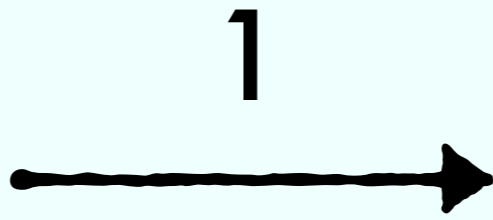
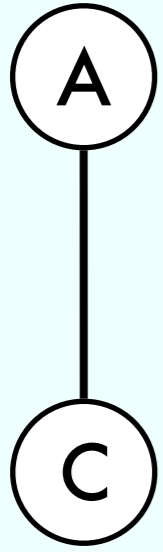
B

C

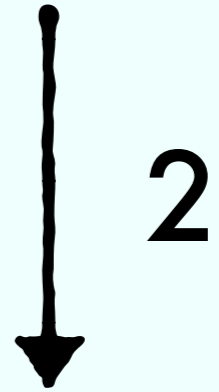
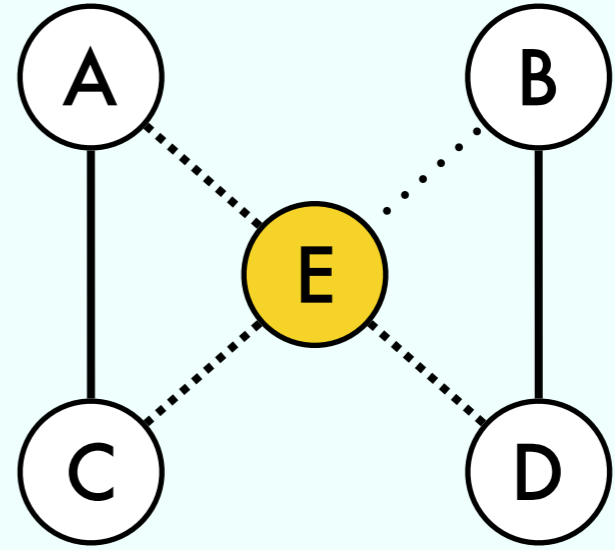
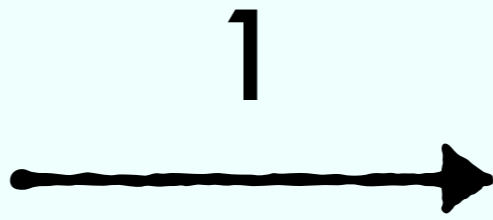
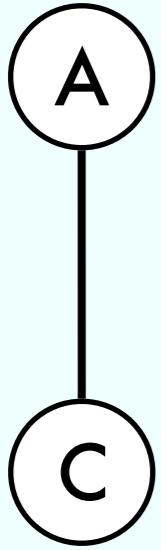
D

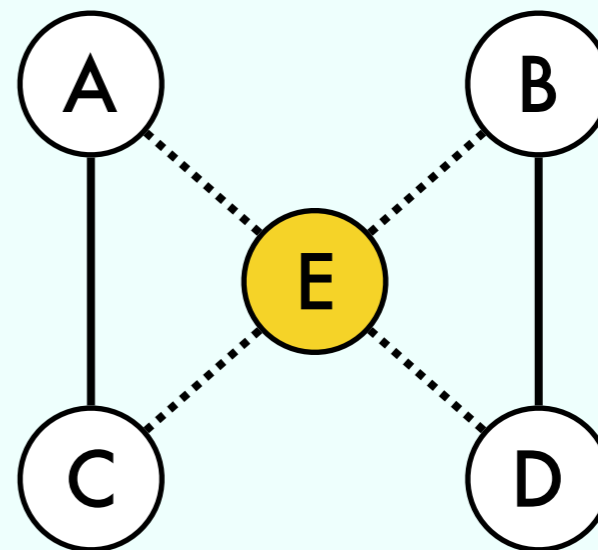
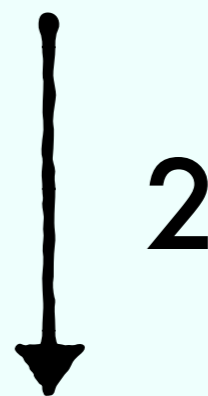
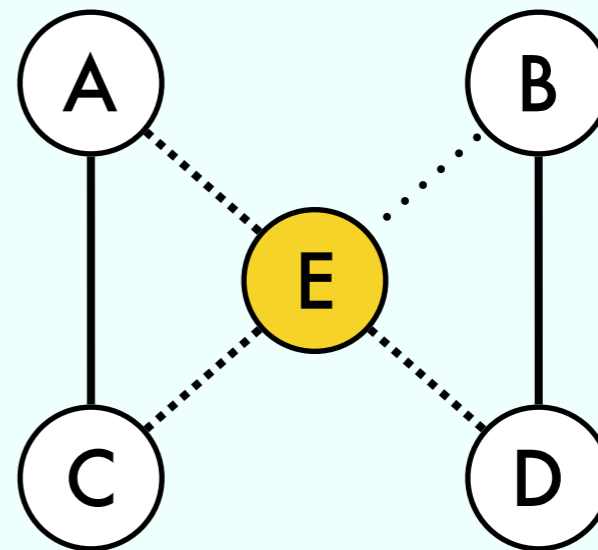
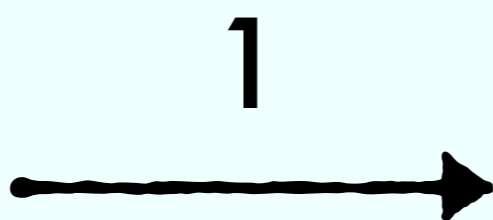
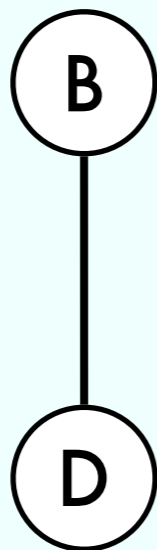


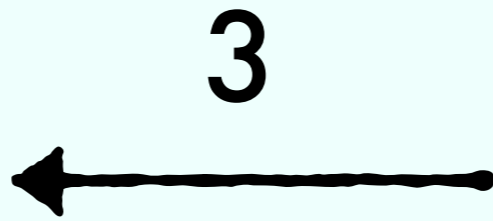
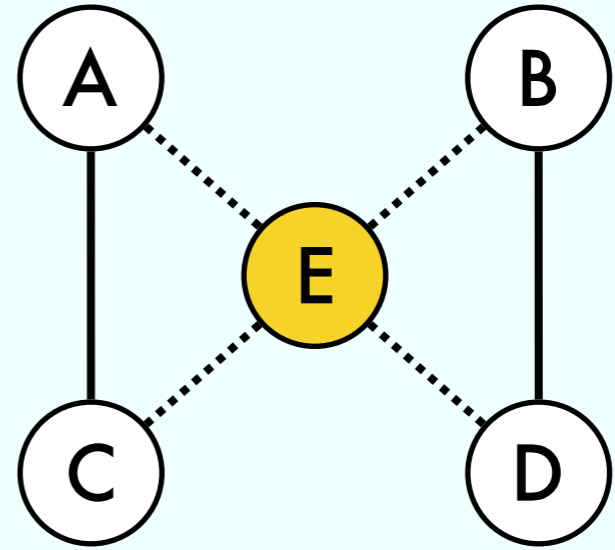
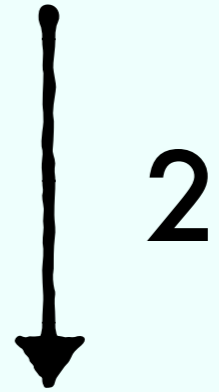
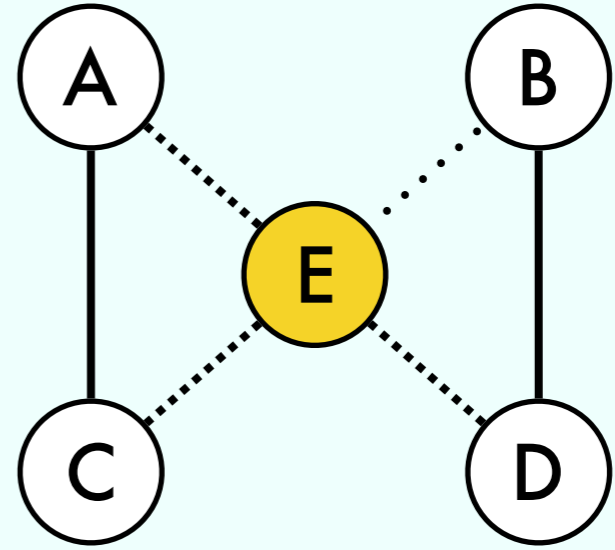
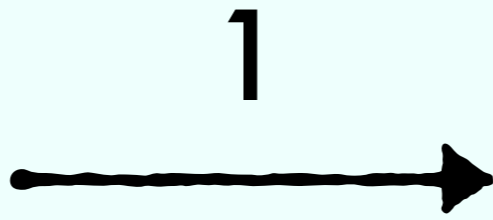
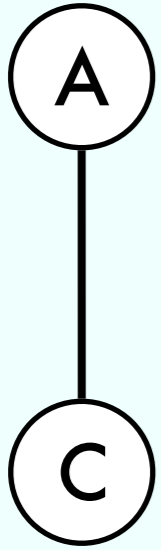


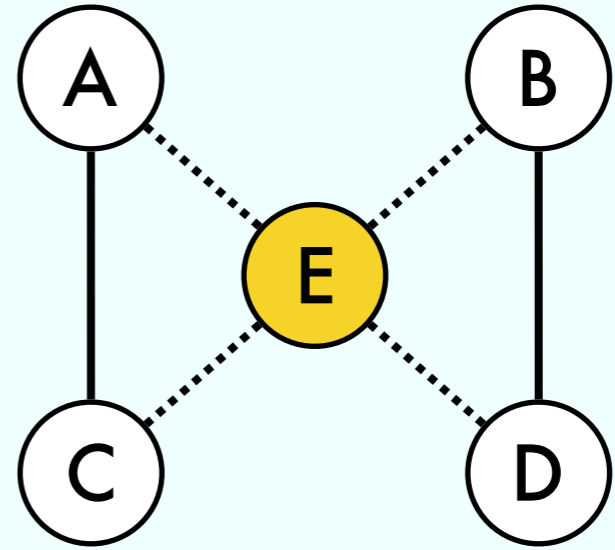
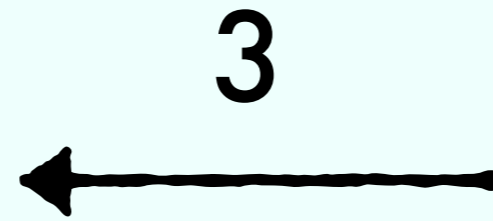
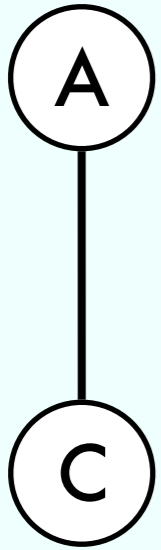
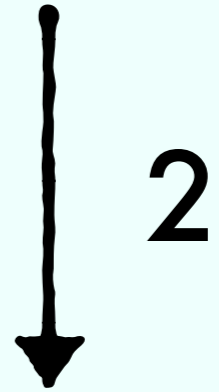
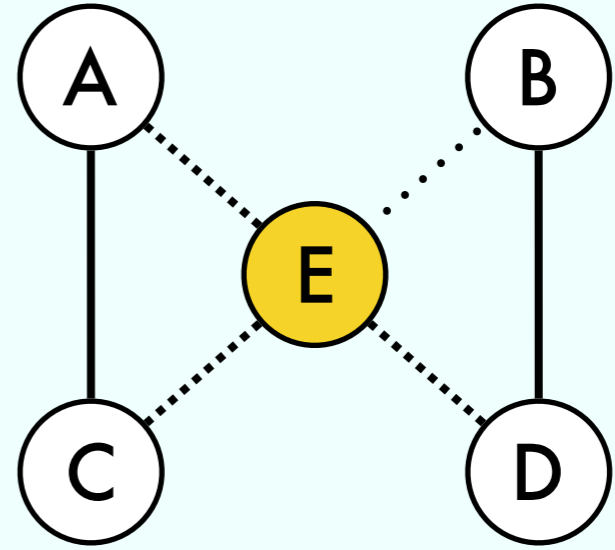
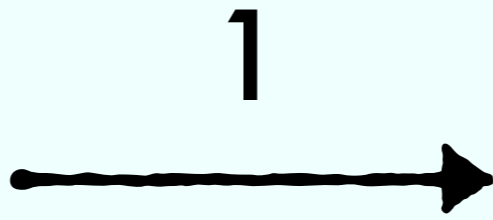
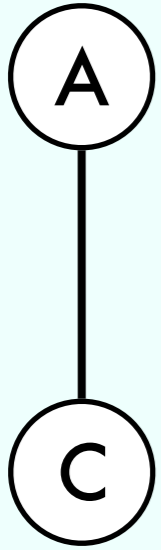












# Theorem

H. Path in  $G$



H. Cycle in  $G^*$