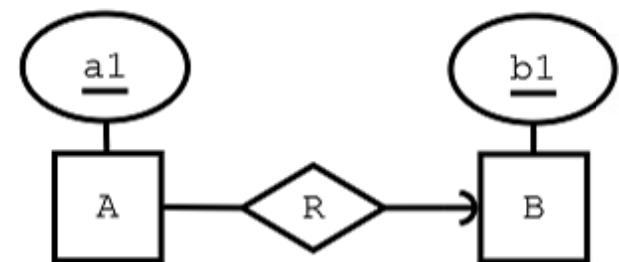
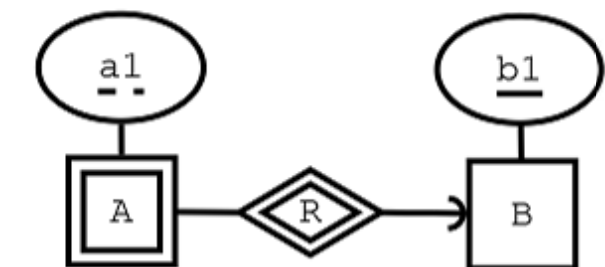


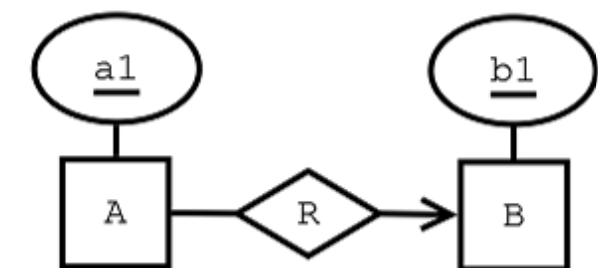
$A(\underline{a1}, \underline{a2}, a3)$
 $B(\underline{b1}, b2, b3)$
 $R(\underline{a1}, \underline{a2}, \underline{b})$
 $(a1, a2) \rightarrow A.(a1, a2)$
 $b \rightarrow B.b1$



$A(\underline{a1}, b)$
 $b \rightarrow B.b1$
 $B(\underline{b1})$



$A(\underline{a1}, \underline{b})$
 $b \rightarrow B.b1$
 $B(\underline{b1})$

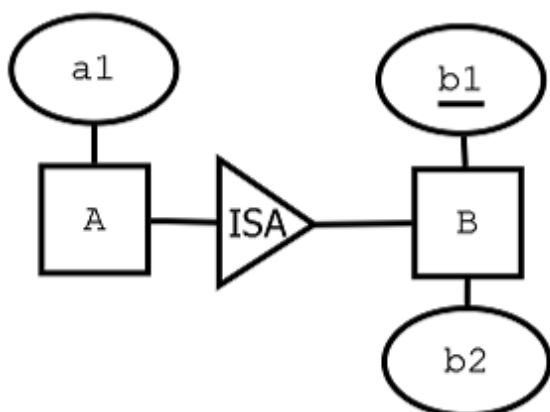


ER-Approach:

$A(\underline{a1})$
 $B(\underline{b1})$
 $R(\underline{a}, \underline{b})$
 $a \rightarrow A.a1$
 $b \rightarrow B.b1$

Null Approach:

$A(\underline{a1}, b \text{ (or Null)})$
 $b \rightarrow B.b1$
 $B(\underline{b1})$



ER-Approach:

$B(\underline{b1}, b2)$
 $A(\underline{b1}, a1)$
 $b1 \rightarrow B.b1$

Null-Approach:

$B(\underline{b1}, b2, a1 \text{ (or Null)})$

OO-Approach:

$A(\underline{b1}, b2, a1)$
 $B(\underline{b1}, b2)$